

UniDrive® Motor

(UL Listed^)

Output Wattage from 48 - 60 Watts
24 VDC, D-Shaft or Keyed

The UniDrive® motor has just one moving part, operates almost silently and gives you unprecedented flexibility in manufacturing lead time.

The UniDrive® motor is a solution offering greater reliability and design freedom. The system is remarkably simple and cost effective. It consists of an externally mounted direct drive brushless DC motor with electronic speed control options.

Extreme Reliability: Up to 250,000 Hour Bearing Life*

The UniDrive® system uses an extremely reliable 4 $\frac{5}{8}$ -inch diameter brushless DC motor with an electronically controlled operating speed ranging from 55 to 350 RPM. It produces high torque at low speed without using failure-prone gear reducers, linkages, or drive chains. The net result of the lower speed combined with the robust bearings is a large, calculated bearing life (L10 ANSI/AFBMA Std 9-1978.)

Almost Silent Operation

The UniDrive® motor is almost silent in operation at full power. There are no gears, drive chains or other moving parts to generate noise.

Plug and play simplicity

The UniDrive® motor controller is a rugged, reliable device that gives you a simple plug and play connection. You control your manufacturing lead-time.

Simple to Service

If a motor ever fails, it is easy to replace because it's mounted externally. Only one part number needs to be stocked for spares and repairs.



FEATURES

- 24V brushless DC motor
- 4.63" Ø x 1.5"L
- Three shaft options
- 20" leads with connector
- 48W - 60W rated outputs
- Speed ranges from 55 - 350 RPM
- Up to 15 in-lbf continuous torque

**^UL LISTED WHEN USED
WITH THIS CONTROL
P/N: 301622 (301284 Base unit)**

*Based on wattage size.

Sales@UniDrive.solutions | Phone: (414) 228-5522 | www.UniDrive.solutions

UniDrive® is a registered trademark of Milwaukee Electronics Corporation or its subsidiaries.
Copyright © 2022 Automation Controls Group. All Rights Reserved.

S-UD22042502R01



UniDrive®

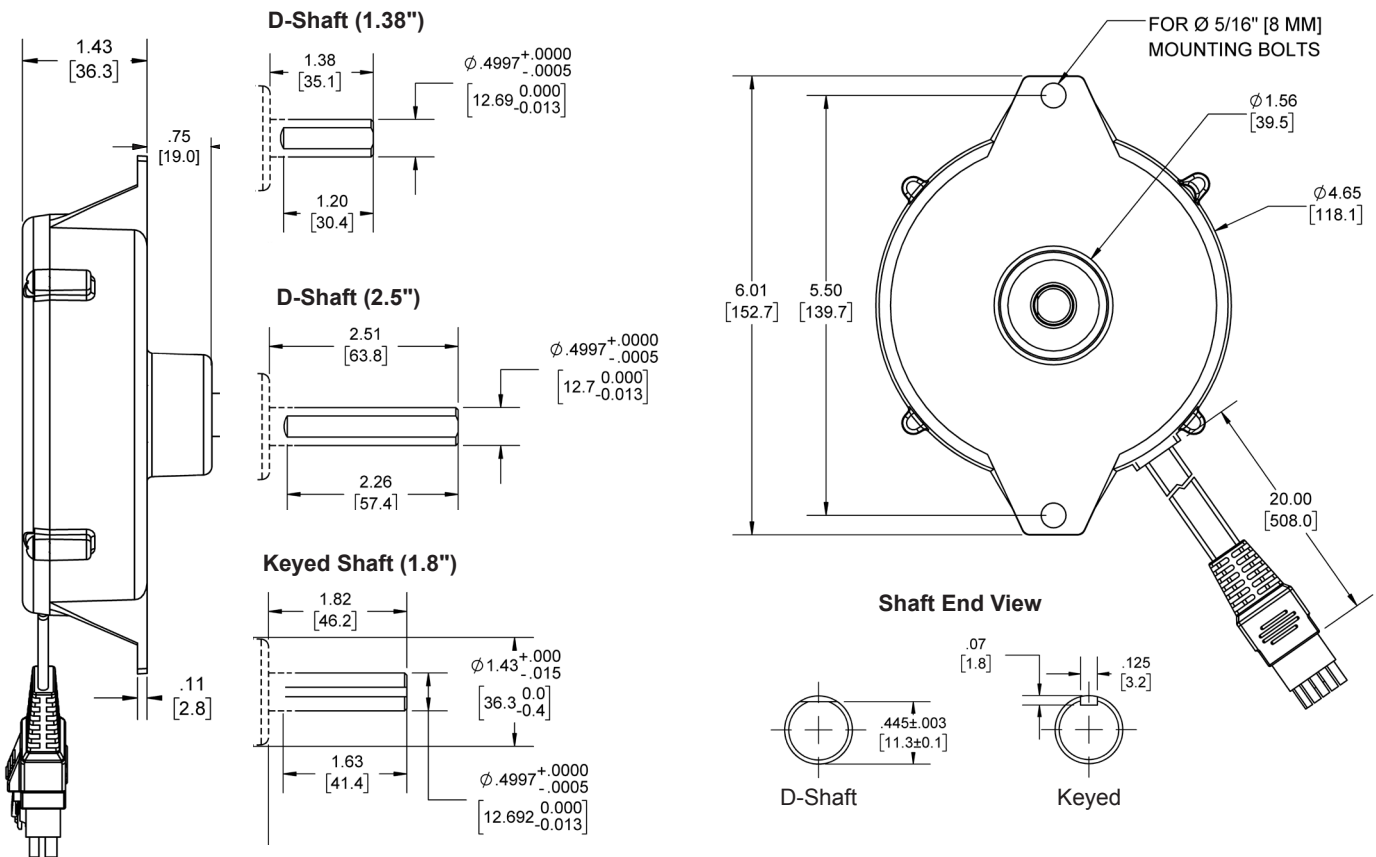
Automation
ControlsGroup
Simplicity in Motion

SPECIFICATIONS

	Part Number	Shaft Type	Shaft (Inches)	INPUT			OUTPUT						
				Voltage (Rated)	Amperage (Rated)	Amperage (No-Load)	Rated Output Watts	Maximum Speed RPM	Torque at Max Speed	Rated Speed	Torque at Rated Speed	Minimum Speed	Stall/ Starting Torque
48W	301489	D-Shaft	2.5	24 VDC	3	0.2	48	280	10	250	15	55	>15
	301491	D-Shaft	1.38										
	301493	Keyed	1.8										
60W	301490	D-Shaft	2.5	24 VDC	4	0.3	60	350	15	350	15	70	>15
	301492	D-Shaft	1.38										
	301494	Keyed	1.8										

Performance shown is typical and is dependent on the control used and the motor temperature.

DIMENSIONS



^UL LISTED WHEN USED WITH THIS CONTROL P/N: 301622 (301284 Base unit)